

V-TUF[®]



SPRAYEX HDC

INDUSTRIAL SPRAY-EXTRACTION VACUUM CLEANER

OPERATOR MANUAL



Please read this manual before using the MIGHTY HSV

Accessories supplied with this machine



VTVS7299- Heavy duty Carpet Head, wand & trigger



VTVS7010HD - HOSE WITH SPRAYLINE



VTVS7020 - FILTER Sponge - SPRAYEX Anti-Foam Device

INTRODUCTION

Thank you for purchasing a product from the V-TUF Industrial Cleaning Equipment range. V-TUF is focused on research and development to make sure you are fully satisfied with your purchase. Please read this manual carefully and follow the instructions to ensure you get the best performance from this machine. Congratulations on your choice and we trust you will obtain satisfaction from using it.

GENERAL INFORMATION

1. This manual has been included as an integral part of the appliance and should be carefully read through before using the machine.
2. Take the appliance out of its packaging and make sure it is in perfect condition, including accessories and any optional extras you have purchased from the V-TUF range.
3. Make sure that the electrical data of the appliance, shown on the label, corresponds to those of the mains supply.
4. The appliance must only be used with V-TUF accessories and spare parts as these ensure safe and perfect operation.
5. The manufacturer disclaims all liability for injury to persons and animals and damage to things due to the irresponsible use of the appliance and to the use of non-original accessories and spare parts.
6. The repair and/or replacement of the various component parts, especially electrical parts, must be done by skilled personnel.
7. The appliance is suitable for use in a range of applications: (hotels, schools, factories, shops, etc...)

INSTALLATION

1. Check the position of the filter and the clips that fasten the head to the tank. Incorrect filter positioning can cause serious damage to the machine.
2. Fit the hose to the vacuum connector; fit the required accessory to the end of the hose. In the case of extractor models fit the pipe on the connector provided on the head and fit the required accessory to the end of the pipe.
3. Connect the power cable of the appliance to the power socket with switches on "0" (OFF POSITION).
4. To vacuum liquids, empty the dust from the container remove dust bag and ensure the cloth filter is fitted. After the vacuum has been used for wet use ensure the tank and cartridge filter is dry before vacuuming dry material.
5. Important: only refit the cloth filter to vacuum dust, so as not to cause problems to the appliance.
6. The noise level is below 85 dB(A)

OPERATION INSTRUCTIONS

1. Ensure that there is sufficient ventilation for the machine and the operator
2. Make sure the machine on a sound and stable surface.
3. Ensure the machine is switched to the off position, connect to the correct and sufficient power source, switch machine on, use according to the guidelines and turn machine off after operation.

IMPORTANT

1. The wet and dry machines feature a floating valve that interrupts the vacuum when the tank is full of liquid. When this occurs, turn the machine off and empty the entire contents of the tank.
2. Do not use your machine if it is not functioning correctly. Regularly inspect electrical leads and connections, filters and listen for unusual noises. If in doubt, contact your nearest service centre for advice.

MAINTENANCE

1. The filter element can be washed with water.
2. Keep the detergent tank clean and free of any grit or dirt
3. Make sure all the sprayline tubes are free of kinks

IMPORTANT INFORMATION

Never use the machine if you are unsure, or become uncertain due to any faults of any kind, including those not mentioned in this manual.

Technical Information

Model	SPRAYEX HD
Capacity	21 Litres
Working Voltage	110 & 240 Volts
Max Spray Pressure	2 Bar
Motor Power	1400 Watts
Function	Wet & Dry Vacuuming
Air Flow Rate	60 CFM
Cooling Mode	250mm
Tank Diameter	335mm
Height	250mm
Accessories	40mm Accessories
Power Cable	5m

Safety Instructions

These instructions are for the user's safety, and all users of the V-TÜF cleaning equipment should ensure to have read this literature before using the machine.






- Do not use with a damaged cable.
- Do not run over the cable.
- Should be inaccessible for children and pets.
- Do not use in the presence of flammable gasses.
- Do not clean up any hot material, e.g. ash.
- Always turn off the machine, and then unplug it, before you service the machine.
- Do NOT use this machine without the filters, as this is a health hazard and motor damage will also come as a result.

All repairs on V-TÜF products should be done by a V-TÜF service representative.

- If the machine shuts down, be sure to turn off the machine and unplug it before troubleshooting.
- For safety, the machine contains an electronic overload protection.
- Always turn off and unplug the machine when it is not in use.
- If any part of the appliance becomes damaged or fractured, it must be replaced by a V-TÜF engineer.

SAFETY PRECAUTIONS

Caution: what to do

1. All power conduction parts must be protected against water. SHORT-CIRCUIT RISK.  
2. All services or maintenance performed on the appliance must always be done with the plug disconnected from the power supply.  
3. Operation with a residual current circuit breaker provides extra protection for the operator ($I_n=30$ mA).
4. Only ever use the appliance for the purposes for which it has been designed and manufactured. ACCIDENT RISK. 
5. If vacuum exhaust starts emitting water or foam, turn off immediately and waste level and ensure all correct filtration is present.


Caution: what not to do




1. Do not leave the machine running and unguarded nor within reach of children, animals or persons that are not responsible for their own actions.

ACCIDENT RISK. 

2. Do not vacuum inflammable combustion substance (e.g.: hot ashes), explosive and toxic substances, electrostatic or substances that are dangerous for health. EXPLOSION OR

POISONING HAZARD   

3. Do not rest the vacuum inlet on or move this close to delicate parts of the body (eyes, ears, mouth, etc.). ACCIDENT RISK.  

4. Do not touch the plug and/or socket with wet hands. ELECTRIC SHOCK RISK.   



5. Do not soak the appliance or spray it with liquid substances. SHORT-CIRCUIT.

6. In the case of extractor models, only use detergents compatible with vacuum and pipe covering materials.

ACCIDENT RISK. 

7. Do not pull or lift the appliance using the power cable. SHORT-CIRCUIT RISK.  

VACUUM CLEANER – CLASS H

SAFETY INDICATIONS

Operator safety

This manual is to be considered as an integral part of the general user manual and provides the necessary instructions for the special class H dust vacuum cleaners.

Therefore the supplied general instruction booklet must be read beforehand.

In addition to the user instructions and the current regulations in the country of use, the sector's recognised technical regulations for the safe and appropriate use of this equipment must also be followed.=

Transport and handling

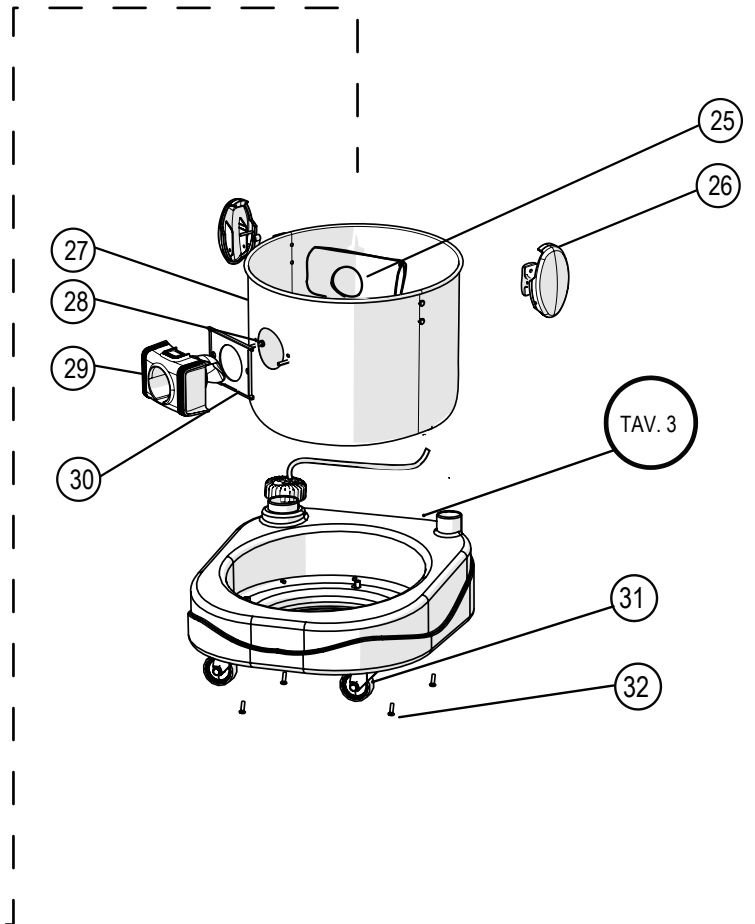
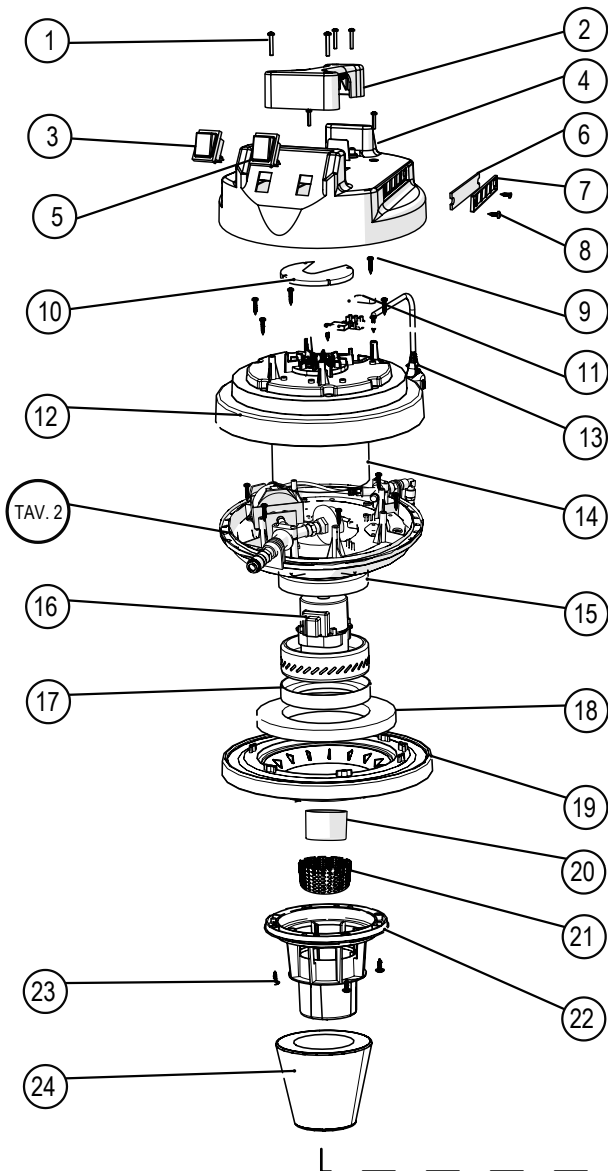
ATTENTION

Be sure to close all of the dirt container's locking hooks before transport.

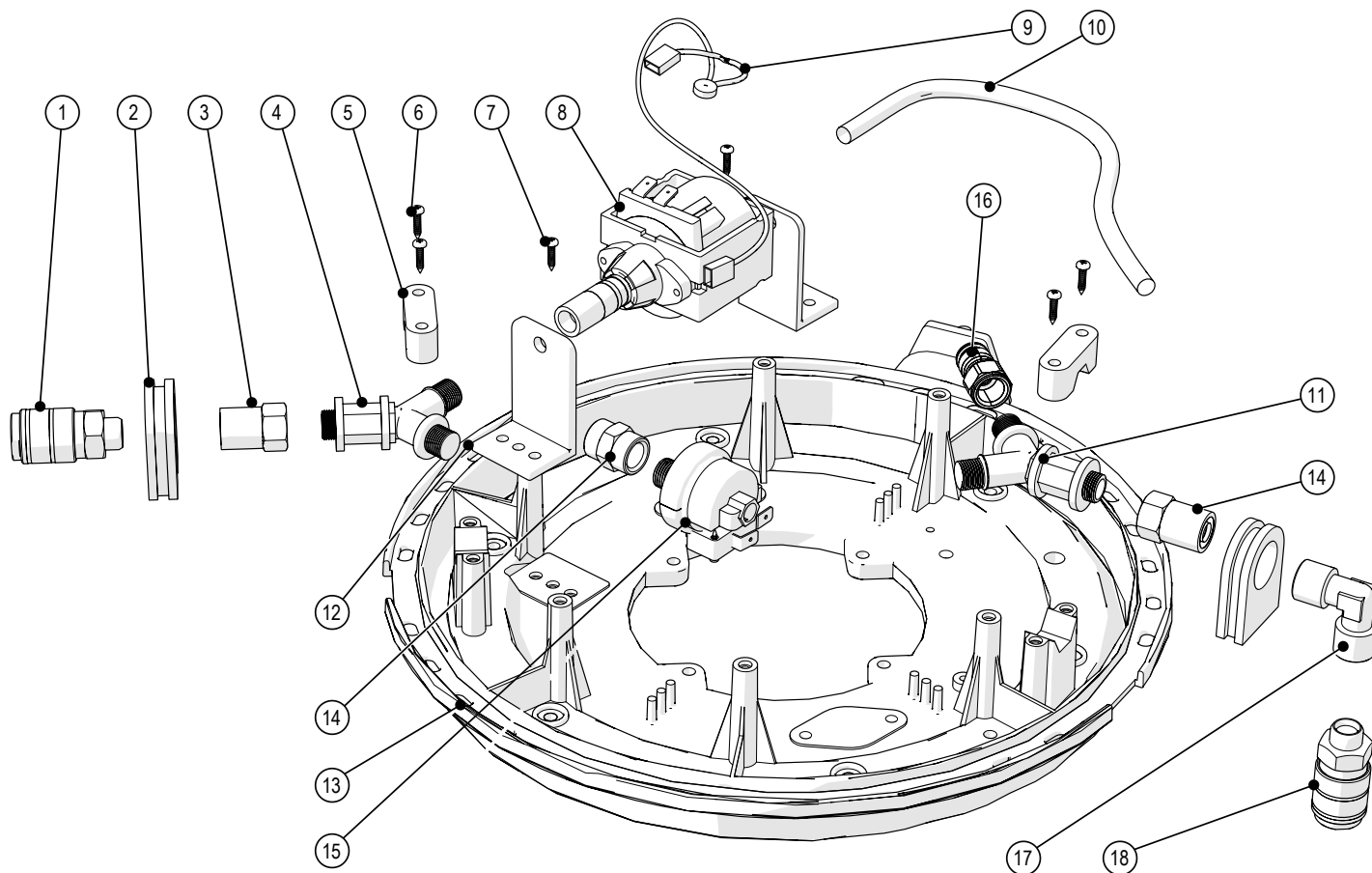
Do not turn the device upside down.

TROUBLESHOOTING

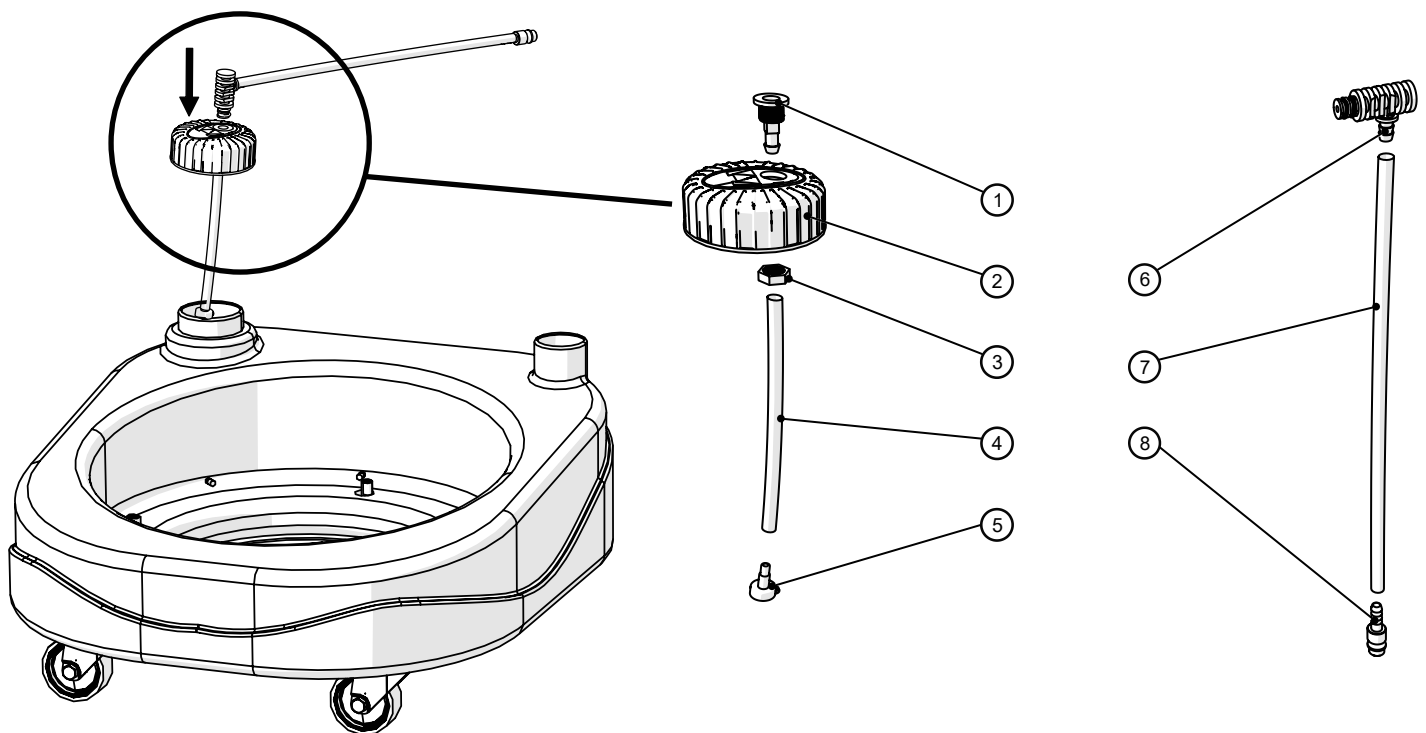
PROBLEM	PROBABLE CAUSE	PROBABLE SOLUTION
The machine does not start	No current.	Check main fuse, power cord, plug and outlet.
The machine suddenly stops	Because of overheating, the thermal protection turns the Machine off (feature only available on extraction machines).	After the machine has cooled down, you can turn the power on again and begin to use the appliance again.
Reduced suction power.	Filter, nozzle, hose or tube clogged.	Check and clean
Suction power suddenly drops	Tank full.	Stop the machine and empty the tank.



Pos.	Cod.	Q.ty	Description
1	VTVS7513	4	Self Tipping Screw 5x30 ZN
2	VTVS7492	1	Handle E.2
3	VTVS7422Y	1	V-TUF YELLOW SWITCH 'VRS' TYPE 10AMP
4	VTVS7726	1	Black Cover with 2Hole Switch
5	VTVS7422Y	1	V-TUF YELLOW SWITCH 'VRS' TYPE 10AMP
6	VTVS7020L	1	Foam Filter 130x25x7mm
7	VTVS7490	1	Plastic Grid L144mm
8	VTVS7510	2	Self Tipping Screw 3,5x12 TC ZN
9	VTVS7512	6	Self Tipping Screw 5x25 TC ZN
10	VTVS7163	1	Noise Foam H10mm - Ø110mm
11	VTVS7483	1	Cablefix
12	VTVS7484	1	Black Motor Cover Ø345mm
13a	I10.1505C	1	5M YELLOW MACHINE CABLE - 110VOLT 1.5mm 16AMP
13b	I10.1605C	1	5M YELLOW MACHINE CABLE - 240VOLT 1.5mm (13AMP)
14	VTVS7447	1	Sealed Filter MTP65/AU H=88 Ø160-120
15	VTVS7455	1	"L" Gasket s/f H=5mm
16a	VTVS7620	1	1400W 110V VAC MOTOR
16b	VTVS7625	1	1400W 240V VAC MOTOR
17	VTVS7450	1	Plane Gasket H=3mm
18	VTVS7446	1	Washer MTP/65 Ø230x145x20 with 16Hole
19	VTVS7471	1	Yellow Double Stage Motor Base Ø436
20	VTVS7494F	1	Float Ø80
21	VTVS7493	1	Circular Grid Ø92mm H40mm
22	VTVS7494	1	Float Supporting Ø168
23	VTVS7511	4	Self Tipping Screw 5x16 TC ZN
24	VTVS7020L	1	Anti-foam/liquids cover
25	VTVS7020	1	Anti-foam device Ø60
26	VTVS7491	2	Black Complete Spring Hook
27	VTVS7765	1	Plastic Tank H=250
28	VTVS7512	2	Self Tipping Screw 5x25 TC ZN
29	VTVS7165M	1	Inlet Ø48
30	VTVS7164	1	Gasket inlet Ø48
31	VTVS7496	4	Wheel Ø50 with Nut M8x12
32	VTVS7519	4	Self Tipping Screw 5x40 TC ZN



Pos.	Cod.	Q.ty	Description
11	VTVS7727	1	SEQ FEMALE COUPLING M1/4
2	VTVS7728	2	Shaped PVC wire guide 020
3	VTVS7729	2	Cylindrical extension M1 / 4-F1 / 4 LG35
4	VTVS7730	1	3-WAY PP "Y" CONNECTION
5	VTVS7731	2	U-bolt Fixing Quick socket ott.
6	VTVS7520	4	Self-tapping screw 5x35 TC ZN
7	VTVS7511	2	Self-tapping screw 5x16 ZN
8	VTVS7427KIT	1	Vibration U pump EP7 230V
9	VTVS7732	1	Pump Thermal Protector 100 ° C
10	VTVS7733	0,3	PU1190 Hydrolytic Hose Ex.Flex 8x5 Black
11	VTVS7734	1	2-WAY PP "Y" CONNECTION
12	VTVS7735	2	L-shaped anti-vibration support
13	VTVS7736	1	Motor stop Ø336 black
14	VTVS7737	1	3000 F1 / 4 "- F1 / 4" metal sleeve
15	VTVS7738	1	Pressure switch GP110-F1 / 4 Estro Vibration
16	VTVS7739	1	Female straight fitting cyl. M1 / 4-8
17	VTVS7740	1	L fitting F1 / 4 "- F1 / 4"
18	VTVS7741	1	SEQ FEMALE COUPLING F1 / 4



Pos.	Cod.	Q.ty	Description
1	VTVS7742	1,00	Straight fitting PP PG6 - 1/4 " - BLUE
2	VTVS7743	1,00	Tank cap with thread FØ60mm BLACK
3			included in part 1
4	VTVS7744	0,15 m	PU1190 Hydrolytic Hose Ex.Flex 8x5 Black
5	VTVS7745	1,00	Filter Tube D.8
6	VTVS7746	1,00	Straight fitting PP PG6 - 1/4 " - BLUE
7	VTVS7747	0,35 m	PU1190 Hydrolytic Hose Ex.Flex 8x5 Black
8	VTVS7748	1,00	PG6 hose connector

V-TUF[®]

www.V-TUF.COM